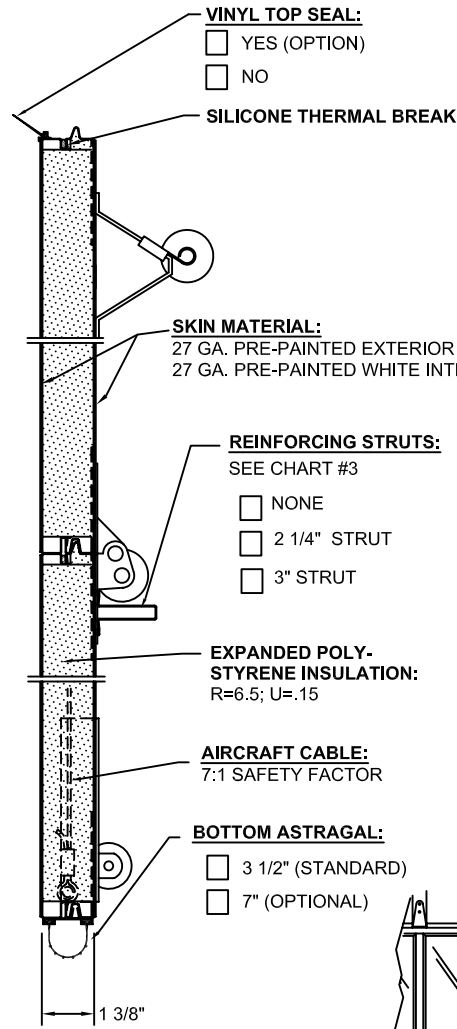


MODEL #: 3150

SECTION TYPE:
TONGUE & GROOVE



STEEL BALL BEARING ROLLER:

END STILES:
 20 GA. PRE-PAINTED

CENTER HINGE:
 14 GA.

BOTTOM BRACKET:
 12 GA. MIN.

BACKUP PLATES:
 19 GA. PRIMED

TOP BRACKET:
 12 GA.

ROLLER HINGE:
 14 GA. MIN.

EXTERIOR COLOR

- WHITE
- BROWN
- TAN
- GRAY

LOCK:

- #2 END STILE
- #3 CYLINDER LOCK - LOCATED IN FIRST CENTER HINGE TO RIGHT (ILO)
- NONE

EXHAUST PORT:

- LEFT 3"
- RIGHT 4"
- CENTER
- NONE

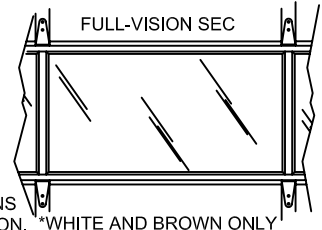
TYP. SECTION

TYP. PANEL

DOOR WIDTH

DOOR HEIGHT

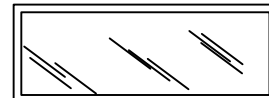
STEP PLATE



NOTE: FULL-VISION SECTION AVAILABLE FOR ALL SECTIONS EXCEPT THE BOTTOM SECTION. *WHITE AND BROWN ONLY

FULL-VISION SECTIONS:

- THRU 18'2" WIDE
- 1/8" DSB
- 1/4" POLYCARBONATE
- 1/2" INSULATED
- 1/2" INSULATED & TEMPERED



WINDOW FRAME CONSIST OF AN EXTERIOR FRAME AND AN INTERIOR RETAINER, MADE OF CELLULAR PVC EXTRUSIONS.

WINDOW SIZE AVAILABILITY:

- 24" x 8"
- 28" x 14"

GLAZING:

- SOLID - NO GLAZING
- 1/8" DSB
- 1/8" PLEXIGLASS
- 3/4" INSULATED



| | | | | | |
|-------|---------------|---------------------------------|-----------------------------------|--------------------|--|
| CUST: | MODEL #: 3150 | QTY: | # OF SECTIONS HIGH (SEE TABLE #1) | SECTIONS TO GLAZE: | SHEET 'M-8' DATE: _____ BID #: _____ PAGE ____ of ____ |
| JOB: | DOOR WIDTH: | | | | |
| ARCH: | DOOR HEIGHT: | # OF PANELS WIDE (SEE TABLE #2) | PANELS TO GLAZE: | | |
| CONT: | | | | | |

MODEL # 3150

**TABLE #1
SECTION CHART**

| DOOR HEIGHT | NUMBER OF SECTIONS |
|---------------|--------------------|
| 6'0" | 3 |
| 6'3" - 8'0" | 4 |
| 8'3" - 10'0" | 5 |
| 10'3" - 12'0" | 6 |
| 12'3" - 14'0" | 7 |
| 14'3" - 16'0" | 8 |

**TABLE #2
PANEL CHART**

| DOOR WIDTH | NUMBER OF PANELS |
|---------------|------------------|
| 7'0" - 9'2" | 2 |
| 9'4" - 13'2" | 3 |
| 13'4" - 16'2" | 4 |
| 16'4" - 18'2" | 5 |

**TABLE #3
LITE AVAILABILITY CHART**

| DOOR WIDTH | MAX LITES PER SECTION |
|----------------|-----------------------|
| 7'0" - 9'2" | 2 |
| 9'4" - 13'2" | 3 |
| 13'4" - 16'2" | 4 |
| *16'4" - 18'2" | 5 |

* 24" x 8" ONLY

**TABLE #4
REINFORCEMENT CHART**

| DOOR WIDTH | DOOR HEIGHT | | |
|----------------|--------------|--------------|--------------|
| | UP TO 10'0" | 10'3"-14'0" | 14'3"-16'0" |
| UP to 14'2" | NONE | NONE | NONE |
| 14'4" to 16'2" | 3 ea. 2-1/4" | 4 ea. 2-1/4" | 5 ea. 2-1/4" |
| 16'4" to 18'2" | 3 ea. 3" | 4 ea. 3" | 5 ea. 3" |

* FOR FULL VISION SECTION REINFORCEMENT SEE MODEL 903.