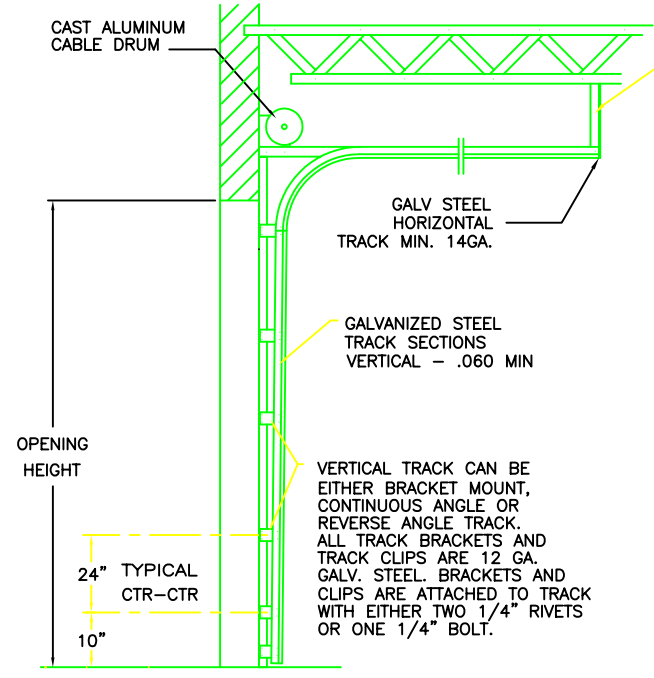


REVISIONS					
REV. NO.	ZONE:	DATE:	ECN NO.	APPVD:	DESCRIPTION
00	-	11/17/04	ER1073	SH	INITIAL RELEASE

HORIZONTAL TRACK END HANGER BRACKET (SUPPLIED BY DOOR INSTALLER) CLOSES ROLLER CHANNEL. INTERMEDIATE HANGER REQUIRED FOR DOORS IF HORIZONTAL TRACK DEFLECTION EXCEEDS 1/240TH OF THE DOOR HEIGHT

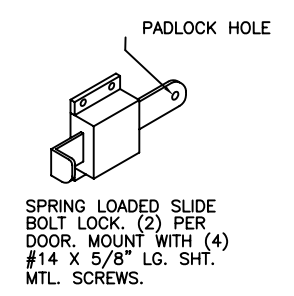
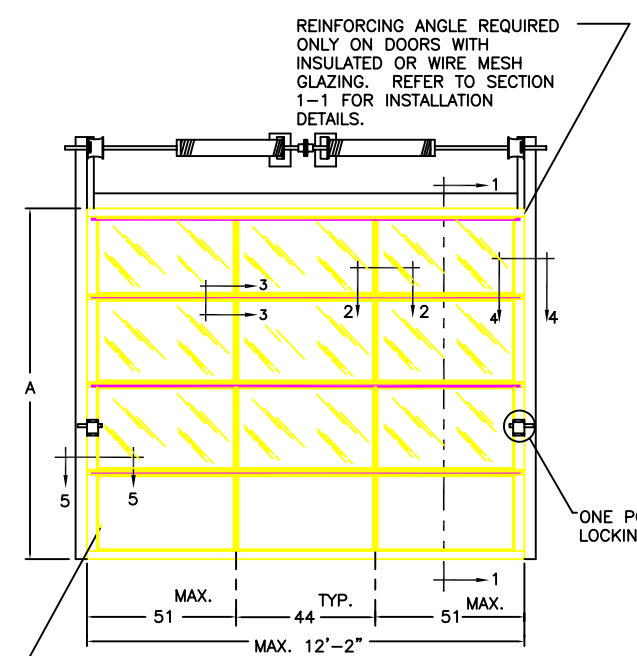


MODEL 902 / C2AL IS MADE OF 6063-T5 ALUMINUM EXTRUSIONS. WALL THICKNESS:
 TOP & BOTTOM RAILS .075
 INTER. TOP & BOTTOM RAILS .075
 TOP HAS .1 x 1.875" FIN
 INTER. TOP RAIL CAP .040
 SINGLE & DOUBLE END STILES .075
 CENTER STILES .062

VERTICAL TRACK CAN BE EITHER BRACKET MOUNT, CONTINUOUS ANGLE OR REVERSE ANGLE TRACK. ALL TRACK BRACKETS AND TRACK CLIPS ARE 12 GA. GALV. STEEL. BRACKETS AND CLIPS ARE ATTACHED TO TRACK WITH EITHER TWO 1/4" RIVETS OR ONE 1/4" BOLT.

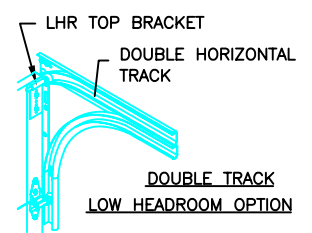
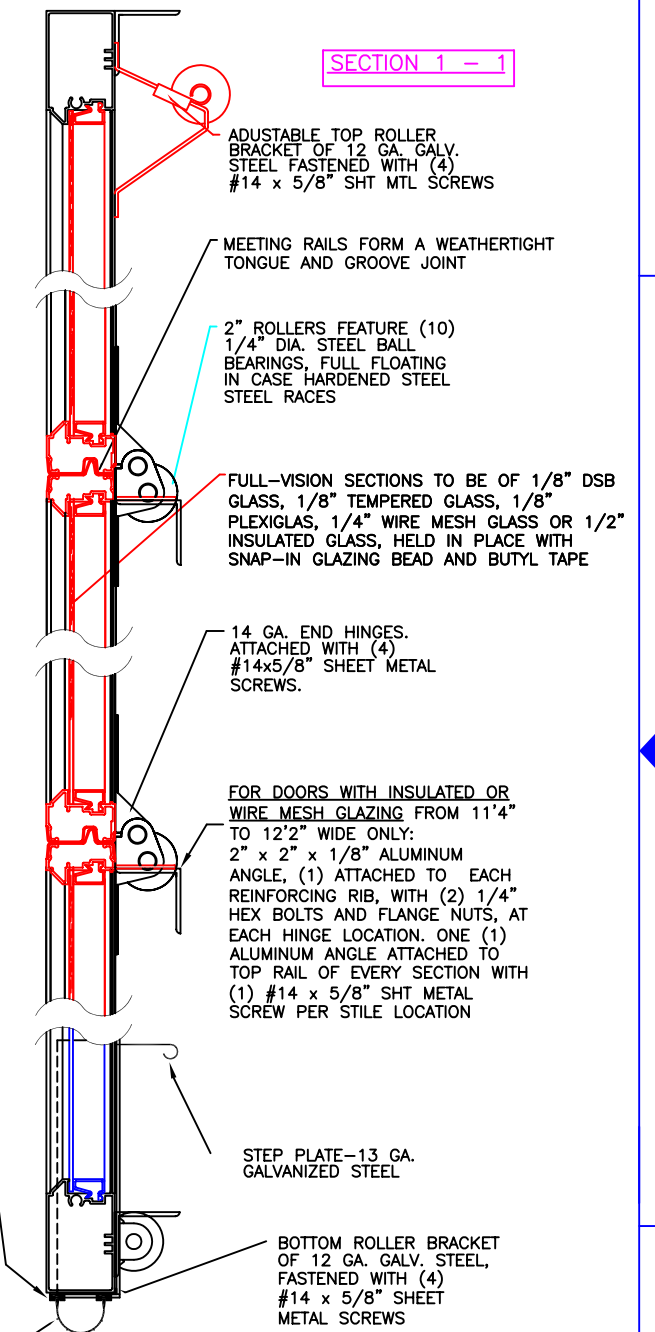
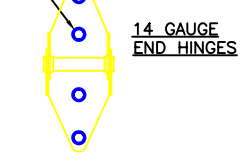
SIDE ELEVATION STANDARD-LIFT TRACK DETAILS

NOTE: DOUBLE TRACK LOW HEADROOM, HI-LIFT TRACK, FOLLOW-THE-ROOF TRACK, AND VERTICAL LIFT TRACK ARE AVAILABLE OPTIONS.

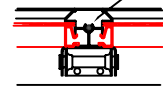


VIEW 'A'

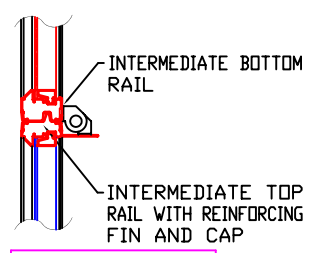
#14x5/8" SHEET METAL SCREWS QTY (4) ALONG CENTER OF EACH HINGE



CENTER STILES FASTENED TO RAILS WITH FULL LENGTH 5/16" ALUMINUM RODS AND FLANGE NUTS

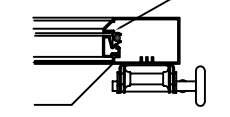


COR-LOVLY CENTER HINGE OF 16 GA. GALV. STEEL, ATTACHED TO INTER. BOTTOM RAIL WITH (2) #14 X 5/8" SHT MTL SCREWS AND TO INTER. TOP RAIL WITH (2) 1/4 - 20 X 1/2" HEX HEAD MACHINE SCREWS & NUTS



SECTION 3-3

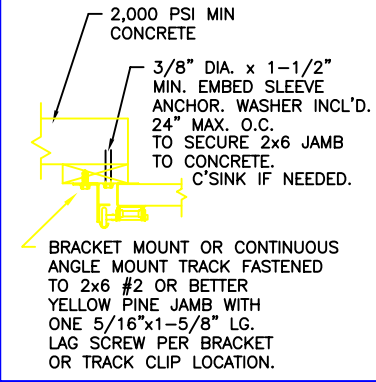
END STILES FASTENED TO RAILS WITH FULL LENGTH 5/16" ALUMINUM RODS AND FLANGE NUTS



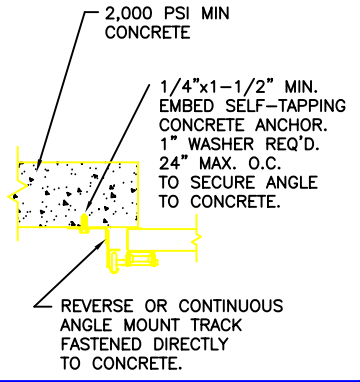
SECTION 4-4

ANCHOR NOTE: FIRST (BOTTOM) ANCHOR STARTING AT NO MORE THAN HALF OF THE MAXIMUM ON-CENTER DISTANCE. HIGHEST ANCHOR INSTALLED AT LEAST AS HIGH AS THE DOOR OPENING.

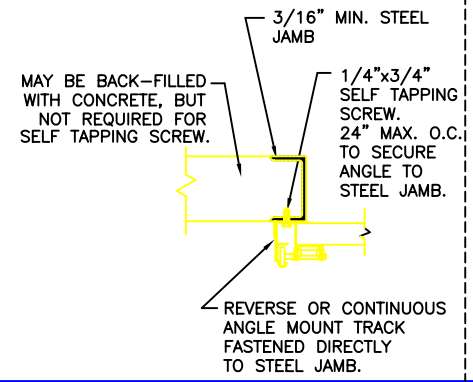
WOOD JAMB ON CONCRETE



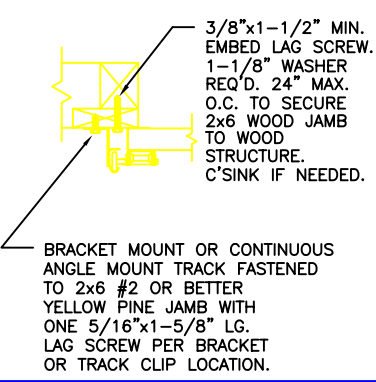
CONCRETE JAMBS



STEEL JAMBS



WOOD JAMBS



THE DESIGN OF THE SUPPORTING STRUCTURAL ELEMENTS IS THE RESPONSIBILITY OF THE BUILDING ENGINEER OR ARCHITECT OF RECORD.

MARK WESTERFIELD, P.E.
 FLORIDA P.E. #48495, NC P.E. #23832,
 TEXAS P.E. #91513

ASTRAGAL TO BE 3 1/2" FLEXIBLE VINYL WITH RIBS

DESIGN LOADS: +16.5 PSF & -16.5 PSF
 TEST LOADS: +25.0 PSF & -25.0 PSF

PART NO.: N/A

NOTICE: Confidential/Proprietary information of CLOPAY BUILDING PRODUCTS CO. is contained herein and may not be disclosed, used, duplicated, made available, or distributed without its prior consent. Failure to observe this notice may result in liability for any damages and losses resulting therefrom.

Unless Stated Otherwise TOLERANCES are
 .0 = ±.03
 .00 = ±.015
 .000 = ±.005
 .0000 = ±.001
 Degrees = ±1/2"

Clopay
 Building Products Company

8585 Duke Boulevard
 Mason, OH 45040
 Tel. No. 1-513-381-4800
 Fax No. 1-513-762-3519

WINDLOAD RATING
 W1

DESCRIPTION: 902W1-12

DRAWN BY: DAS

DATE: 5/28/03

SCALE: NTS

DWG. SIZE B

CHECKED BY: SH

DATE: 08/28/03

SHEET 1 OF 1

DWG. NO.: 103291

REV. NO. 00