

MODEL 3154, 230B (RAISED PANEL EMBOSS)  
MODEL 3155 (FLUSH)

REVISIONS

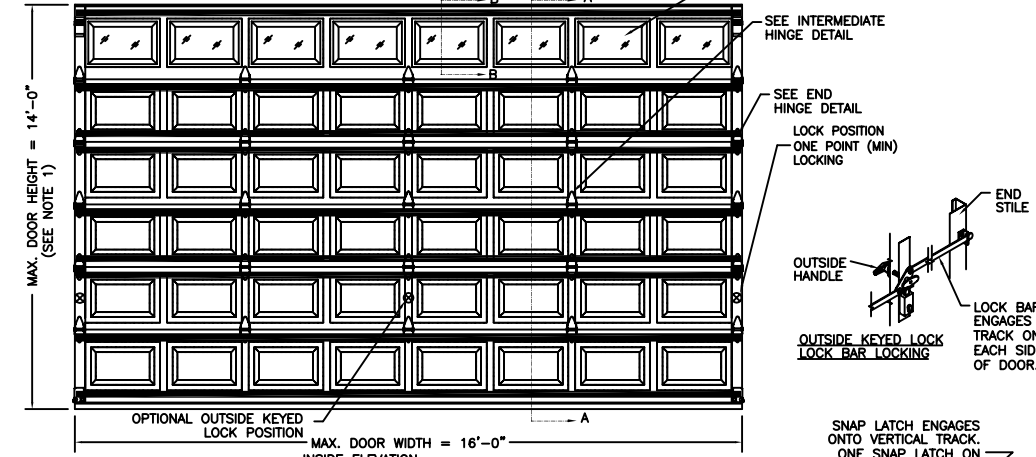
REV. NO.	ZONE	DATE	ECN NO.	APPVD	DESCRIPTION
00	-	11/03/03	ER1037	SH	INITIAL RELEASE
01	-	1/09/07	-	SH	DRAWING_CORRECTIONS

D

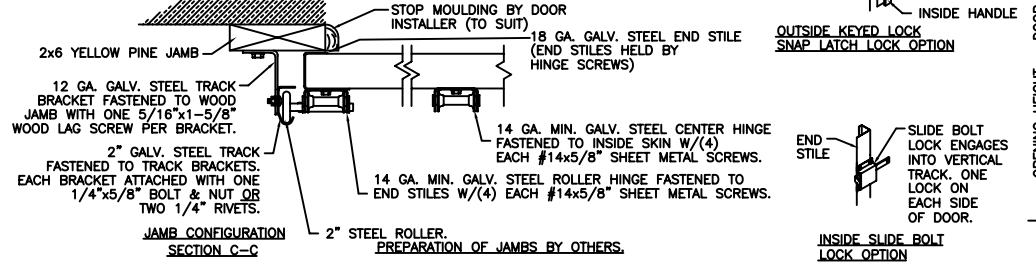
C

B

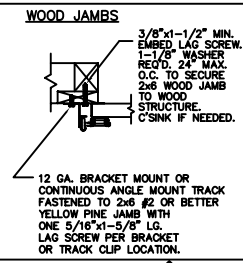
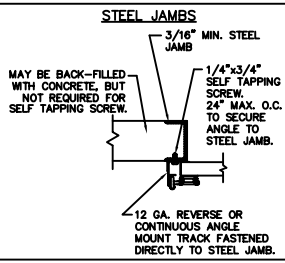
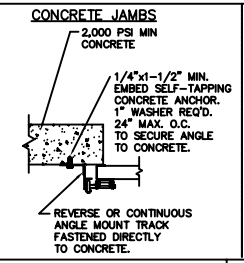
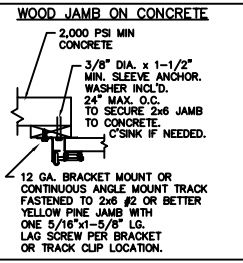
A



NOTE 1:  
DOORS UP TO 7'-0" HIGH CONSIST OF (4) SECTIONS (NOT SHOWN)  
DOORS 7'-3" TO 8'-9" HIGH CONSIST OF (5) SECTIONS (NOT SHOWN).  
DOORS 9'-0" TO 10'-6" HIGH CONSIST OF (6) SECTIONS (SHOWN).  
DOORS 10'-9" TO 12'-3" HIGH CONSIST OF (7) SECTIONS (NOT SHOWN).  
DOORS 12'-6" TO 14'-0" HIGH CONSIST OF (8) SECTIONS (NOT SHOWN).  
DOORS 14'-3" TO 15'-9" HIGH CONSIST OF (9) SECTIONS (NOT SHOWN).  
DOORS 16'-0" HIGH CONSIST OF (10) SECTIONS (NOT SHOWN).



ANCHOR NOTE: FIRST (BOTTOM) ANCHOR STARTING AT NO MORE THAN HALF OF THE MAXIMUM ON-CENTER DISTANCE. HIGHEST ANCHOR INSTALLED AT LEAST AS HIGH AS THE DOOR OPENING.



THE DESIGN OF THE SUPPORTING STRUCTURAL ELEMENTS IS THE RESPONSIBILITY OF THE BUILDING ENGINEER OR ARCHITECT OF RECORD.

NOTICE: Confidential/Proprietary information of CLOPAY BUILDING PRODUCTS CO. is contained herein and may not be disclosed, used, duplicated, made available, or distributed without the prior consent. Failure to observe this notice may result in liability for any damages and losses resulting therefrom.

Third Angle Projection

Unless Stated Otherwise TOLERANCES are  
.0 = ±.03  
.00 = ±.015  
.000 = ±.005  
.0000 = ±.001  
Degrees = ±1/2°

Unless Stated Otherwise DIMENSIONS ARE IN INCHES.

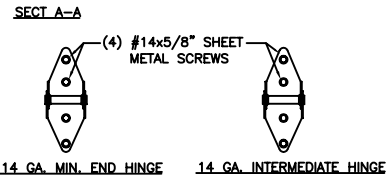
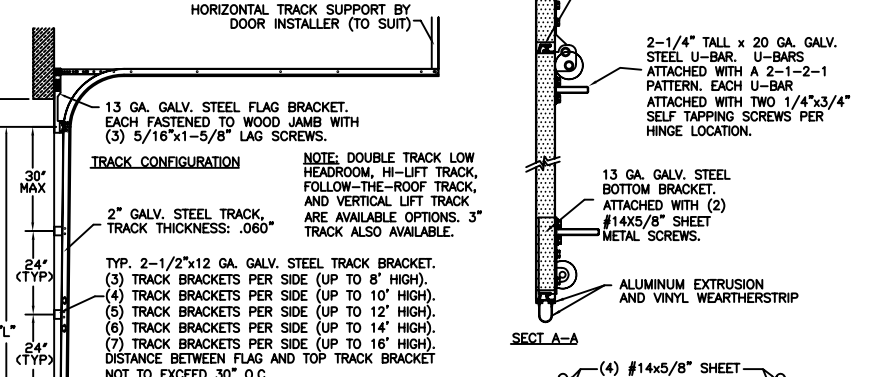
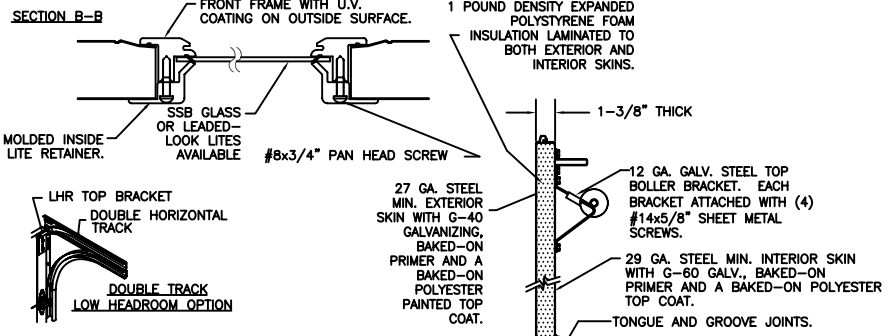
DOOR HEIGHT	"L"	DOOR HEIGHT	"L"
6'-6"	70"	11'-6"	130"
7'-0"	76"	12'-0"	136"
7'-6"	82"	12'-6"	142"
8'-0"	88"	13'-0"	148"
8'-6"	94"	13'-6"	154"
9'-0"	100"	14'-0"	160"
9'-6"	106"	14'-6"	166"
10'-0"	112"	15'-0"	172"
10'-6"	118"	15'-6"	178"
11'-0"	124"	16'-0"	184"

DESIGN LOADS: +12.5 PSF & -14 PSF  
TEST LOADS: +19 PSF & -21 PSF

PART NO.:

**Clopay** 8585 Duke Boulevard  
Mason, OH 45040  
Tel. No. 1-513-381-4800  
Building Products Company Fax No. 1-513-762-3519

DESCRIPTION: MODEL 3154W1 16'0" WIDE			
DRAWN BY: SH	DATE: 10/20/03	SCALE: NTS	DWG. B
CHECKED BY:	DATE:	SHEET 1 OF 1	SIZE
DWG. NO.: 102982	REV. NO. 01		



MARK WESTERFIELD, P.E.  
FLORIDA P.E. #48495  
NC P.E. #23832, TEXAS P.E. #91513

4

3

2

1