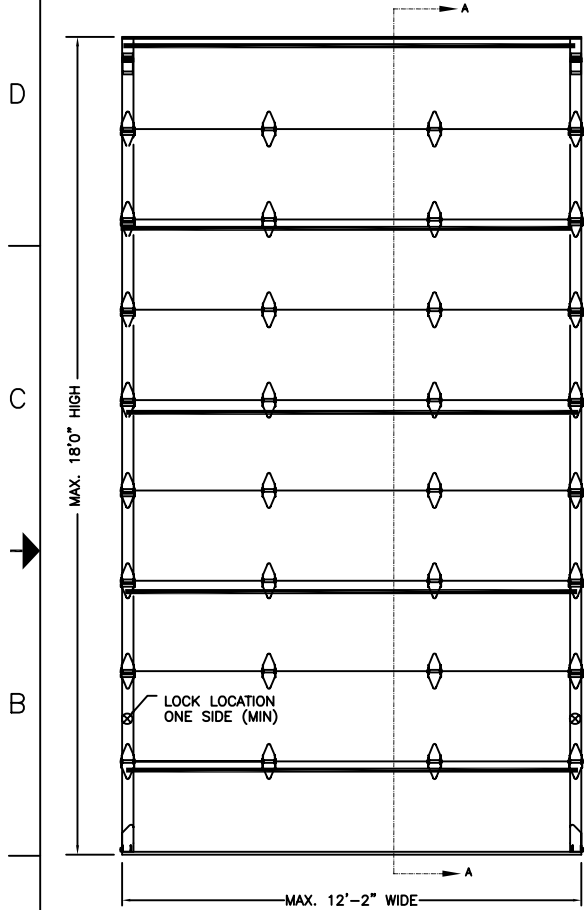
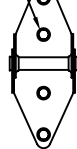


MODEL 3150, 210



(4) #14 SHEET METAL SCREWS

14 GA. HINGE

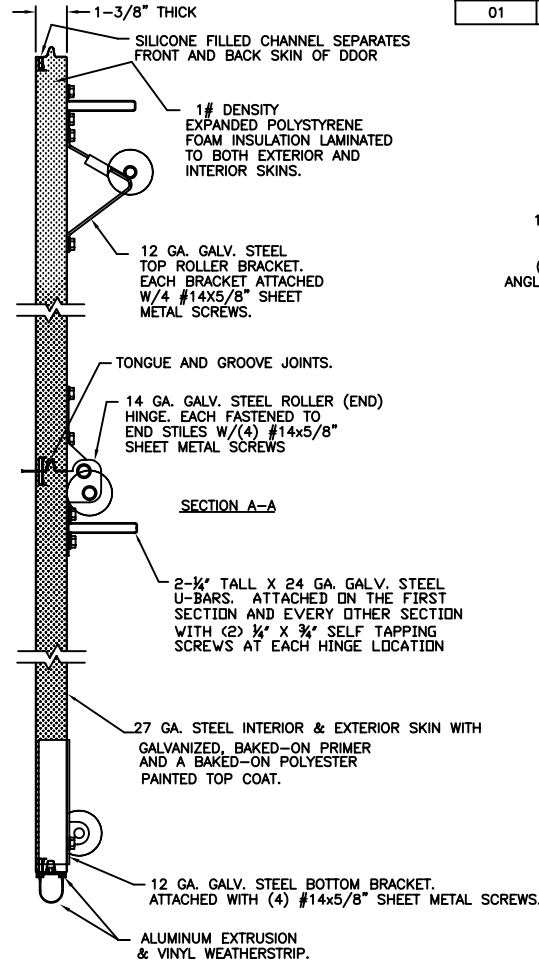


END STILE



INSIDE SLIDE BOLT

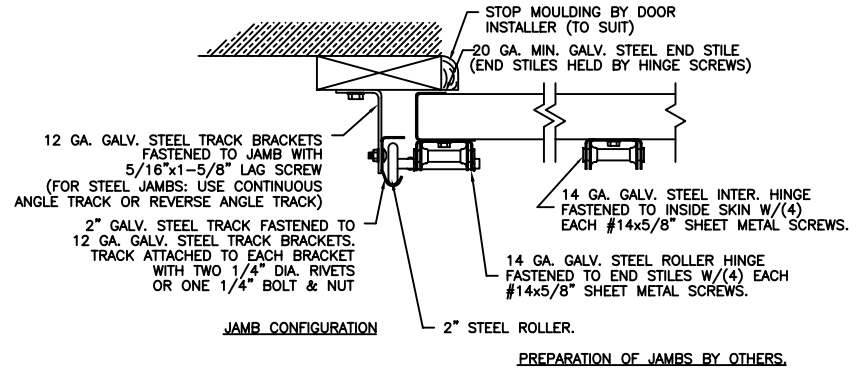
SLIDE BOLT LOCK ENGAGES INTO VERTICAL TRACK. ONE LOCK ON EACH SIDE OF DOOR.



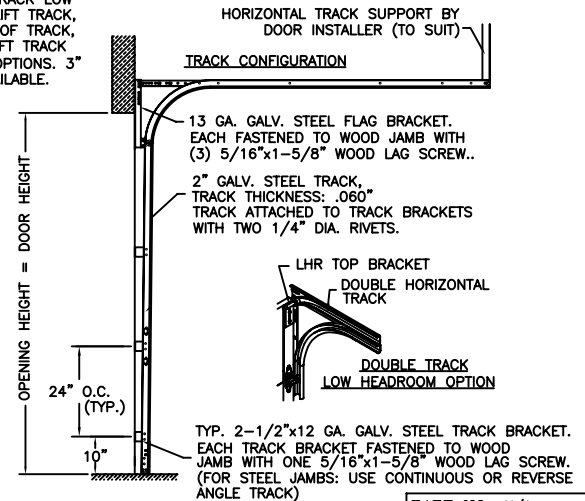
DESIGN ENGINEER: MARK WESTERFIELD, P.E.
FLORIDA P.E. #48495
DESIGN LOADS: +13.5 PSF & -13.5 PSF
TEST LOADS: +20 PSF & -20 PSF

THE SUPPORTING STRUCTURAL ELEMENTS ARE TO BE DESIGNED BY THE BUILDING ARCHITECT OR ENGINEER OF RECORD FOR THE LOADS SHOWN ON THIS DRAWING.

REVISIONS					
REV. NO.	ZONE	DATE	ECN NO.	APPVD:	DESCRIPTION
00	-	11/03/03	ER1037	SH	INITIAL RELEASE
01	-	1/09/07	-	SH	DRAWING_CORRECTIONS



NOTE: DOUBLE TRACK LOW HEADROOM, HI-LIFT TRACK, FOLLOW-THE-ROOF TRACK, AND VERTICAL LIFT TRACK ARE AVAILABLE OPTIONS. 3" TRACK ALSO AVAILABLE.



NOTICE: Confidential/Proprietary Information of CLOPAY BUILDING PRODUCTS CO. is contained herein and may not be disclosed, used, duplicated, made available, or distributed without the prior consent. Failure to observe this notice may result in liability for any damages and losses resulting therefrom.



Unless Stated Otherwise TOLERANCES are
.0 = ±.031
.00 = ±.015
.000 = ±.005
.0000 = ±.001
Degrees = ±1/2'

Unless Stated Otherwise DIMENSIONS ARE IN INCHES.



8585 Duke Boulevard
Mason, OH 45040 USA
Tel. No. 513-770-4800
Fax No. 513-770-4853

DESCRIPTION: MODEL 3150W1 12' WIDE

DRAWN BY: RJK

DATE: 8/20/03

SCALE: NONE

DWG. B

CHECKED BY: SH

DATE: SH

SHEET 1 OF 1

SIZE B

DWG. NO.: 102965

REV. NO. 01

PART NO.: N/A

WINDLOAD RATING

W1