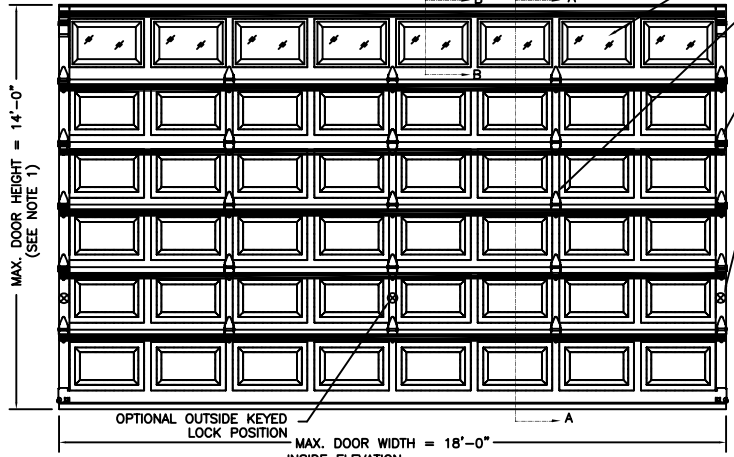


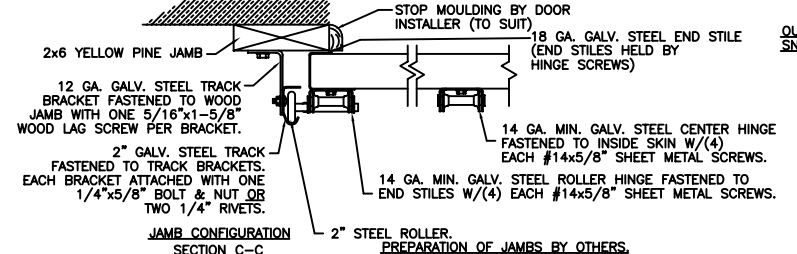
MODEL 3203, 250 (RAISED PANEL EMBOSS)  
MODEL 3201 (FLUSH)

REVISIONS

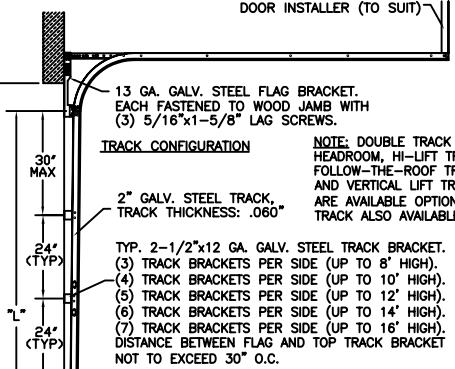
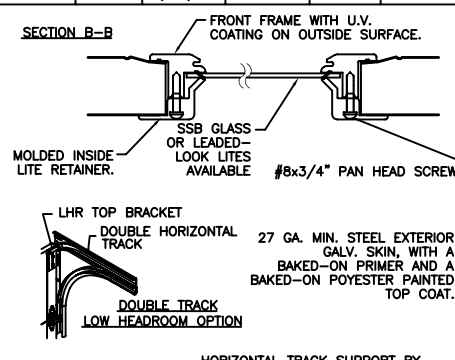
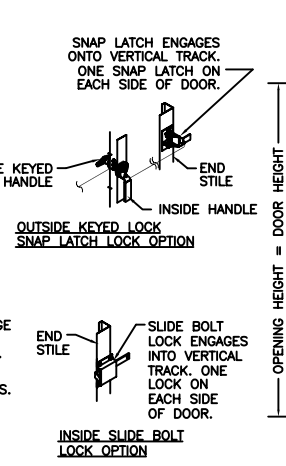
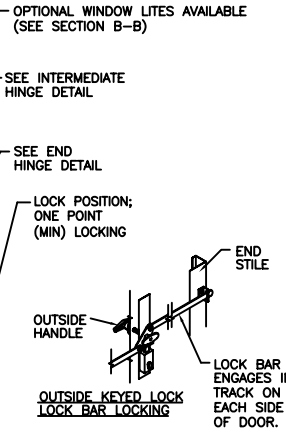
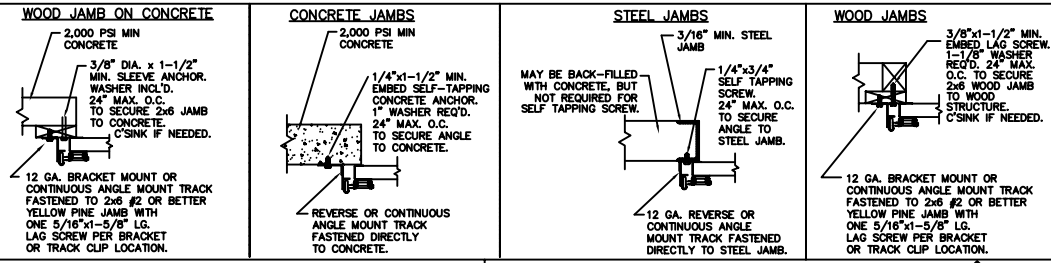
REV. NO.	ZONE	DATE	ECN NO.	APPVD	DESCRIPTION
00	-	11/03/03	ER1037	SH	INITIAL RELEASE
01	-	1/09/07	-	SH	DRAWING_CORRECTIONS



**NOTE 1:**  
DOORS UP TO 7'-0" HIGH CONSIST OF (4) SECTIONS (NOT SHOWN).  
DOORS 7'-3" TO 8'-9" HIGH CONSIST OF (5) SECTIONS (NOT SHOWN).  
DOORS 9'-0" TO 10'-6" HIGH CONSIST OF (6) SECTIONS (NOT SHOWN).  
DOORS 10'-9" TO 12'-3" HIGH CONSIST OF (7) SECTIONS (NOT SHOWN).  
DOORS 12'-6" TO 14'-0" HIGH CONSIST OF (8) SECTIONS (NOT SHOWN).  
DOORS 14'-3" TO 15'-9" HIGH CONSIST OF (9) SECTIONS (NOT SHOWN).  
DOORS 16'-0" HIGH CONSIST OF (10) SECTIONS (NOT SHOWN).

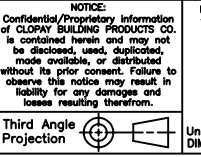


**ANCHOR NOTE:** FIRST (BOTTOM) ANCHOR STARTING AT NO MORE THAN HALF OF THE MAXIMUM ON-CENTER DISTANCE. HIGHEST ANCHOR INSTALLED AT LEAST AS HIGH AS THE DOOR OPENING.

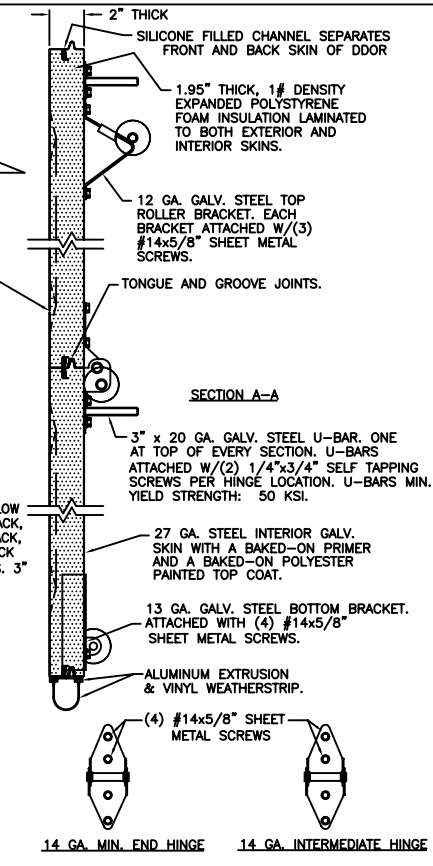


DOOR HEIGHT	"L"	DOOR HEIGHT	"L"
6'-6"	70"	11'-6"	130"
7'-0"	76"	12'-0"	136"
7'-6"	82"	12'-6"	142"
8'-0"	88"	13'-0"	148"
8'-6"	94"	13'-6"	154"
9'-0"	100"	14'-0"	160"
9'-6"	106"	14'-6"	166"
10'-0"	112"	15'-0"	172"
10'-6"	118"	15'-6"	178"
11'-0"	124"	16'-0"	184"

THE DESIGN OF THE SUPPORTING STRUCTURAL ELEMENTS IS THE RESPONSIBILITY OF THE BUILDING ENGINEER OR ARCHITECT OF RECORD.



Unless Stated Otherwise  
**TOLERANCES** are  
.0 = ±.03  
.00 = ±.015  
.000 = ±.005  
.0000 = ±.001  
Degrees = ±1/2°  
Unless Stated Otherwise  
DIMENSIONS ARE IN INCHES.



DESIGN LOADS: +12.5 PSF & -14 PSF  
TEST LOADS: +19 PSF & -21 PSF

MARK WESTERFIELD, P.E.  
FLORIDA P.E. #48495  
NC P.E. #23832, TEXAS P.E. #91513

DESIGN LOADS: +12.5 PSF & -14 PSF  
TEST LOADS: +19 PSF & -21 PSF

PART NO.:

**Clipay** 8585 Duke Boulevard  
Mason, OH 45040  
Tel. No. 1-513-381-4800  
Fax No. 1-513-762-3519

Building Products Company

DESCRIPTION: MODEL 3203W1 18'0" WIDE

DRAWN BY: DAS	DATE: 5/27/03	SCALE: NTS	DWG. B
CHECKED BY:	DATE:	SHEET 1 OF 1	SIZE

DWG. NO.: 102886  
REV. NO. 00