



## Break-Away Bottom Section Installation Instructions

(To be used with the Clopay Commercial Installation and Maintenance Instructions)

### Doors with break away center hinges ONLY (Read before installing any door sections).

#### **SKIP THIS PARAGRAPH IF YOUR DOOR IS NOT SUPPLIED WITH CENTER HINGES.**

Insulated door models use protective plastic sheets that cover the location of center hinges. If your door is supplied with center hinges as shown in Figure 2 or 3 and there is no cut out for the hinge location use the following method to mount center hinges:

Place an intermediate section on a saw horse that will be used to mount the cable assemblies. (Figure 2 or 3 marked intermediate section). Mount the center hinge or hinges at locations punched with center holes at the bottom of the section. Place the mating top of each break away section against this intermediate section and use the bottom leaf of the mounted center hinge as a template for locating the mounting holes on the breakaway section. Once these holes are located, mark the holes so the appropriate hinge can be mounted later during the installation process.

- 1) Install the roller carriers onto the bottom section of the door using six  $\frac{1}{4}$ " x  $\frac{3}{4}$ " long self drilling screws through each bracket (with double bottom breakaway sections, the bottom section may be identified as the one with the astragal and astragal retainer). The reinsertion rod should be positioned at the top of the roller bracket as indicated in the callout in Figure 1. The mounting holes for the brackets are pre-punched in the end stiles. The first row of mounting holes is located  $\frac{7}{8}$ " up from the bottom of the end stiles. Make sure to attach the end of the roller lanyard by securing it under one of the mounting screws as shown in Figure 1.

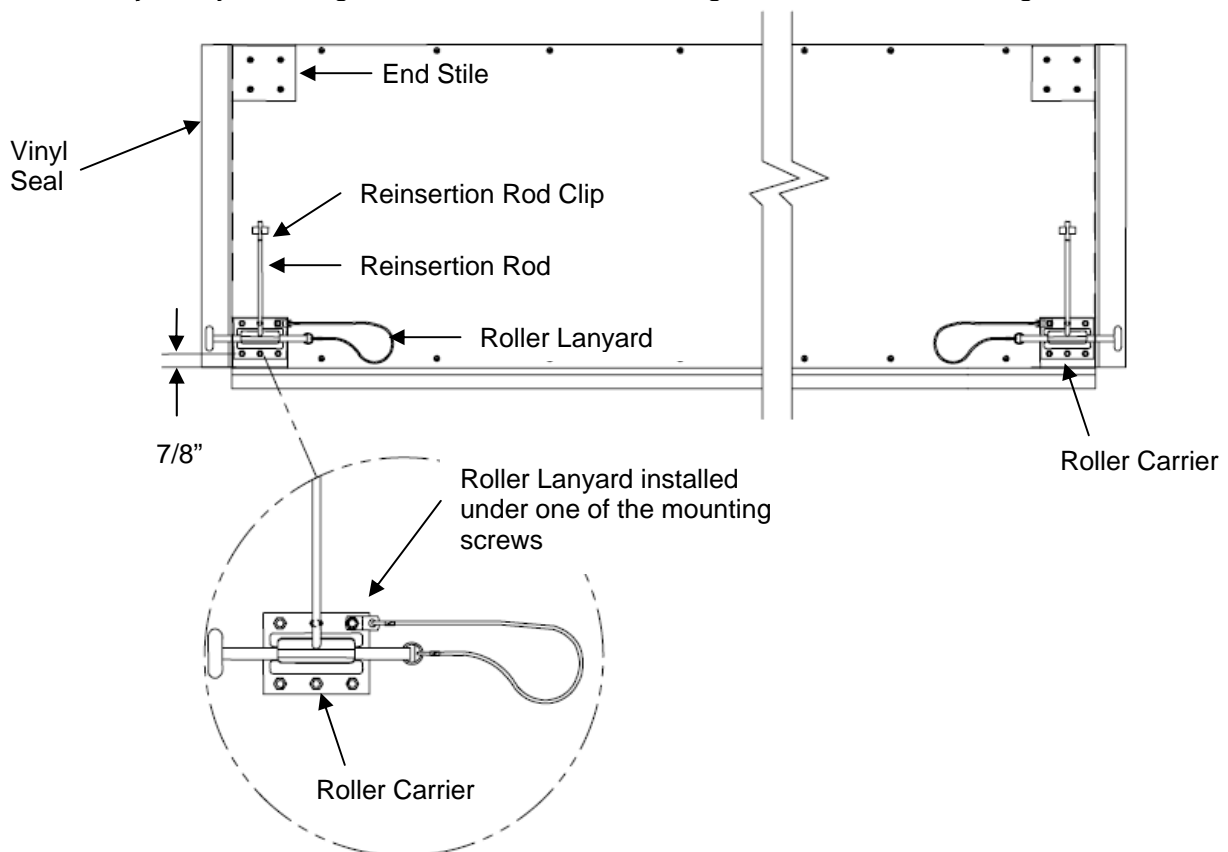


FIGURE 1

- 2) Install the reinsertion rod clips to the end stiles, as shown in Figure 1, using the small self drilling screws supplied with the brackets.
- 3) Use the reinsertion rod to push the rollers into place by rotating the reinsertion rod downward. Rotate the reinsertion rod up to secure the top of the rod into the bracket.
- 4) Place the bottom section into the door opening, centering it in the opening. Note that the bottom section is 5" narrower than the other door sections. This is to ensure proper clearance when the section breaks away. Next, attach the vertical tracks along each side jamb per the Clopay Commercial Installation and Maintenance Instructions.

### Doors with Two Sections that Break-Away

(skip to step 5 if you are installing a single breakaway section)

With the bottom breakaway section mounted in the opening, install the second break away section as shown in figure 2 below. Mount the intermediate hinge as shown with twelve ¼" self drilling screws. Repeat lanyard and reinsertion rod installation for the two intermediate hinges as shown in Figure 1.

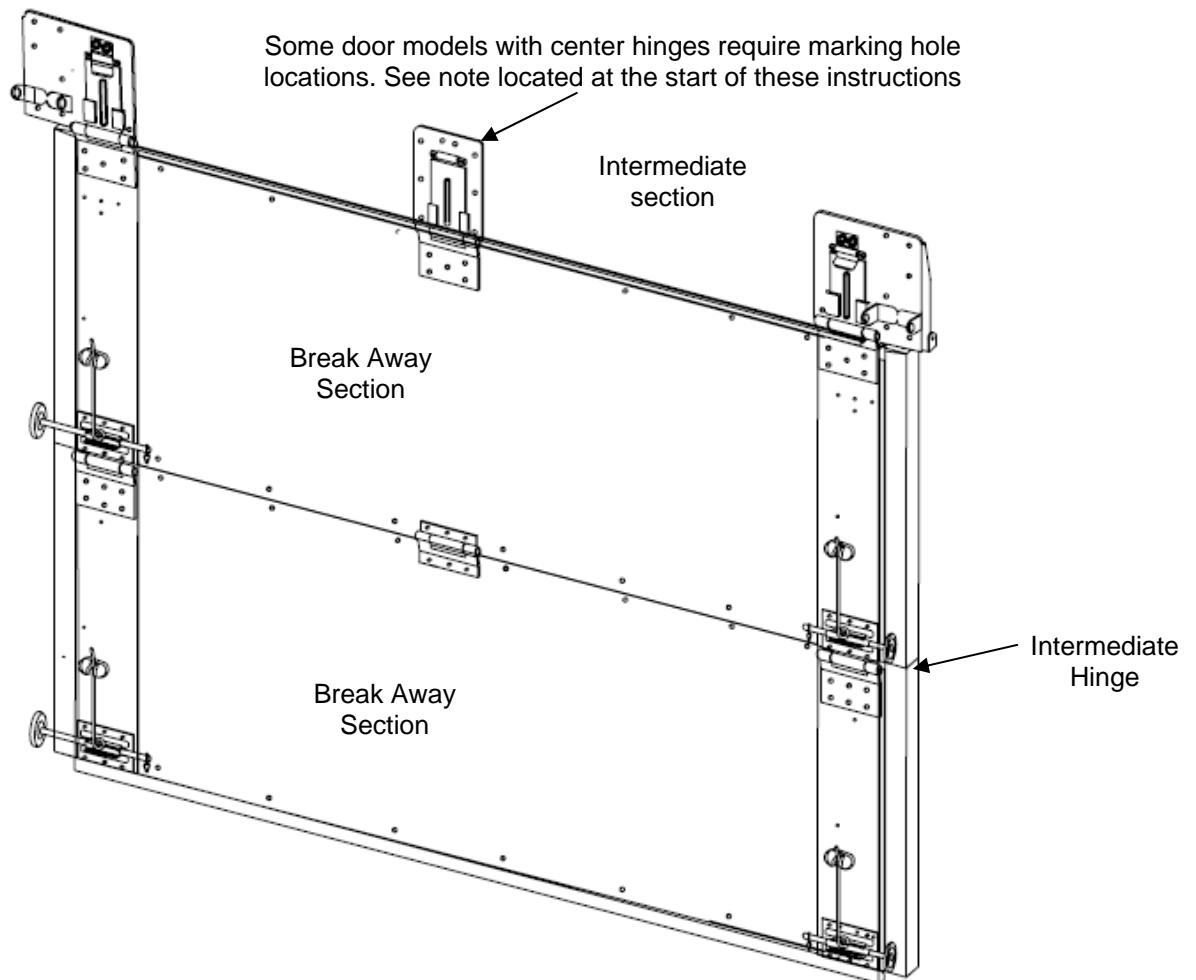


FIGURE 2

- 5) Install the special bottom brackets to the bottom of the next section that will hold the cable assemblies for balancing the door. These are break away brackets that allow the section to pivot when hit.

**IMPORTANT:**

- Install the lift cable assemblies to the special bottom brackets using the pin and key supplied prior to installing the bottom brackets to the door section.
- Use the red headed self drilling screws supplied to install the bottom brackets. Each bracket is to have four self drilling screws positioned as shown in Figure 3 below.

- 6) Install the bottom leaf of the drop hinge to the top of the section using five ¼" x ¾" long self drilling screws through each bracket.

- 7) Doors supplied with break-away center hinges. Locate and install the hinge with hardware provided.

**IMPORTANT:**

DO NOT INSTALL STANDARD HINGES BETWEEN THE BOTTOM SECTION AND FIRST INTERMEDIATE SECTION. INSTALLATION OF STANDARD HINGES WILL NOT ALLOW THE BREAK-AWAY'S SECTION TO SWING OUT AS DESIGNED.

- 8) Complete the installation of the door following the Clopay Commercial Installation and Maintenance Instructions.

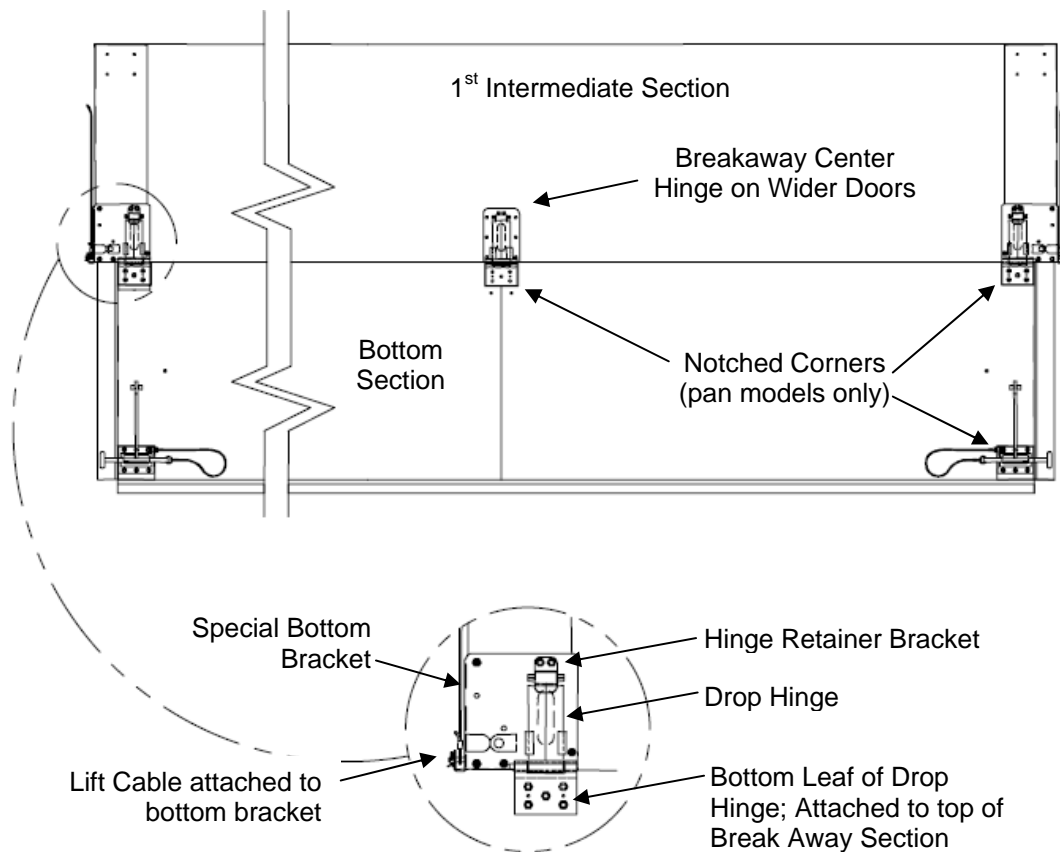


FIGURE 3