

# Installing Struts

**Step 1:** Place the last section on the saw horses. Attach the top roller brackets as shown. The top roller brackets are to be attached with three (insulated doors) or four (non-insulated doors) #14 x 5/8" sheet metal screws. The top of the bracket should be located 3 1/4" down from the top of the door. The bottom of the bracket goes in smaller holes 6 1/4" from top of section. (FIG. 1)

If your door was supplied with any struts one will be attached to the top section as shown. (FIG. 1) (Consult chart below.) DO NOT use the pre-drilled holes in the strut. Attach strut with strut clips provided.

## Insulated Doors Only

On doors that require strut(s)—refer to strut chart below—the strut clips on the center stiles are positioned differently. The strut clips must be positioned with the straight edge up. (FIG. 2)

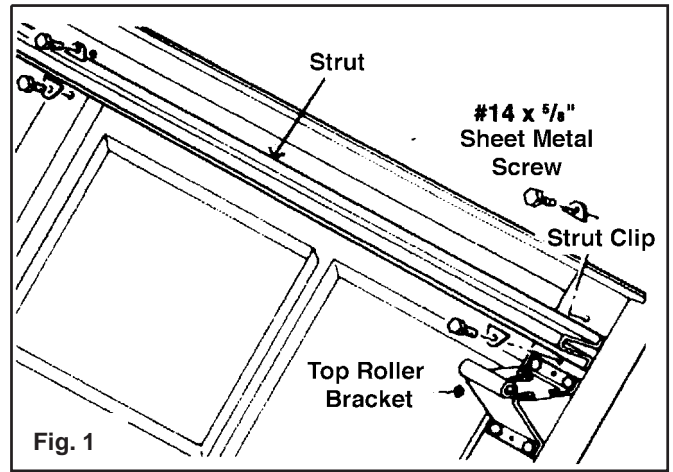


Fig. 1

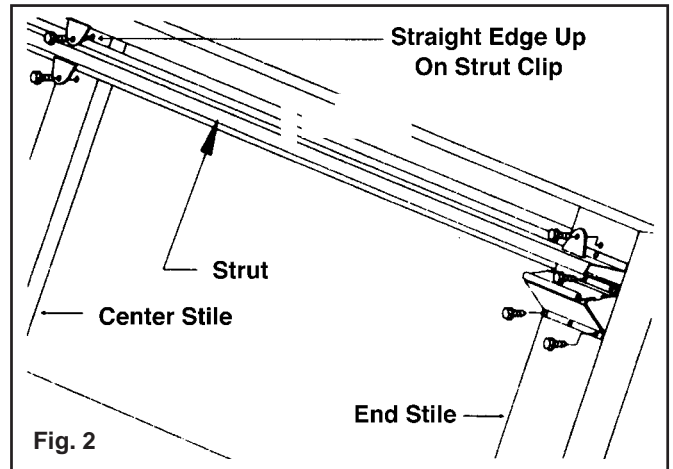


Fig. 2

## Section Requiring Struts

Door Width	Bottom Section	3rd Section	Top Section
15 & 16 ft.	—	—	✓
17 & 18 ft.	✓	✓	✓
over 18 ft. 2 in. — one strut per section.			

**NOTE:** Doors installed in high windload regions (Florida and other hurricane prone areas) may require additional reinforcement beyond what is detailed in these instructions. Please refer to supplemental instructions for these areas.